

INSTALLATION, OPERATION, AND MAINTENANCE MANUAL

This publication contains the installation, operation and maintenance procedures for standard units of the

Dryer Booster Inline Fans

Carefully read this publication prior to installation.

Receiving and Inspection

Carefully inspect the fan and accessories for any damage or shortage upon receiving the fan.

- Turn the wheel by hand to ensure it turns freely and does not bind.
- Remove shipping tape.
- Record on the *Delivery Receipt* any visible sign of damage before the delivery person leaves.

Storage

If the fan is stored for any length of time prior to installation, store it in its original shipping box and protect it from dust, debris and weather.



WARNING

This unit has rotating parts. Safety precautions should be exercised at all times during installation, operation, and maintenance.

ALWAYS disconnect power prior to working on fan.



*On Select Models



PERSONAL SAFETY

Disconnect switches are recommended. Place the disconnect switch near the fan so that the power can be swiftly cut off in case of an emergency, and so that maintenance personnel are provided complete control of the power.

READ AND SAVE THESE INSTRUCTIONS

Electrical Supply

Check that the voltage and circuit details on the fan are suitable for your supply.

Caution: Never work on a fan unless power is turned off.

Wiring

All wiring should be carried out in compliance with regulations for electrical installations and comply with any local requirements.

Caution: Never work on a fan unless power is turned off.

Starting

All Dryer Boosters are supplied with a current sensor with a purge cycle timer that senses any electrical current from the dryer and automatically activates the dryer booster. After the dryer cycle, the timer continues the booster for 7 minutes extra to clear out any excess humidity and lint.

Protection

All fan motors are provided with internal Thermal Overload Protection(T.O.P). In the event that the fan overheats, the T.O.P. will break the circuit until the fan returns to normal operating temperature.

Caution: Never work on a fan unless power is turned off.

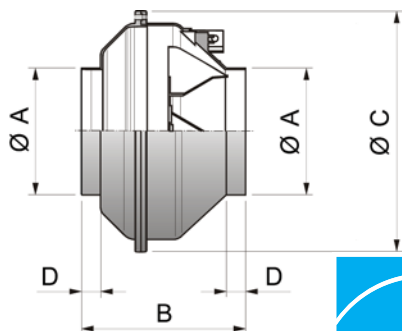
Rotating

The direction of rotation, looking into the inlet of the blower, should be clockwise.

Mounting (See images to the right)

All fans are suitable for mounting in any plane. Attach the black plastic mounting bracket to the support frame where you wish to mount the fan. Slide in the metal bracket (attached to the fan) into the already mounted black plastic bracket until you hear a light clicking sound.





Model	A	B	C	D
*R-100	4	9.7	11.3	1.2
R-110	4	9.7	11.3	1.2
*R-150	6	9.0	14.9	1.2

All dimensions in inches
* Energy Star



Wiring Diagrams

Using Current Sensor

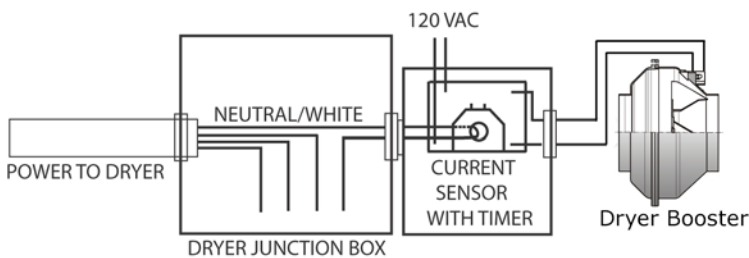
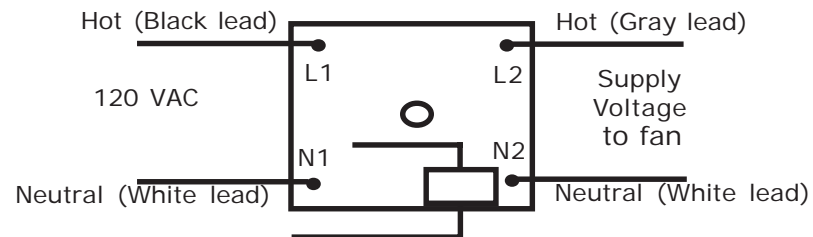


Fig. 1



Neutral (white lead) from dryer
Fig. 1

Installation

1. Place the current sensor in an electrical junction box and attach the box to the existing dryer junction box. (Fig. 1)
2. Loop the white (neutral) dryer power wire to around the donought located on the current sensor, and then direct it back to the dryer junction box. (Fig. 1)
3. Connect 120 VAC power supply to the above specified terminals of the current sensor. (Fig. 2)
4. Connect the dryer booster fan to the above specified terminals of the current sensor. (Fig. 2)
5. Turn on the dryer and make sure the dryer booster fan turns on.

Models: R Series

SPECIAL WIRING PRECAUTIONS

All installations should be wired according to the supplied diagrams. Failure to comply will cause the motor to "hum" or not work.

1. Turn off power at service entrance before wiring this fan.
2. Read the fan serial number to determine the current draw. Check that available supply is suitable.
3. Be certain to use proper connector type for securing conduit cable.
4. Connect electrical supply per diagrams supplied.

Troubleshooting

1. If fan fails to operate, please check the following:
 - a) Consult wiring diagrams included to assure proper connection.
 - b) To assure proper contact, check motor lead wiring, incoming supply wiring and capacitor connections.
 - c) If possible, use a meter to test for continuity between fan leads. Please note that capacitor will show no reading if tested with meter.
2. If fan still fails to operate, consult distributor for return/replacement instructions.

Maintenance

1. Since fan bearings are sealed and have been provided with an internal lubricating material, no lubrication is necessary.
2. When using in a dryer boosting application, **DISCONNECT POWER SUPPLY** and check impeller periodically or any lint build up. No other maintenance is necessary.

Limitation of Warranty and Liability

This warranty does not apply to any product or part which has failed as a result of faulty installation or abuse, incorrect electrical connections or alterations made by others, or use under abnormal operating conditions or misapplication of the products or parts. Directfans.com will not approve for payment any repairs not made by us or our authorized agent without prior written consent. The foregoing shall constitute our sole and exclusive warranty and our sole and exclusive liability, and is in lieu of all other warranties, whether written, oral, implied or statutory. There are no warranties which extend beyond the description on the page hereof. Directfans.com does not warrant that said goods and articles are of merchantable quality nor that they are fit for a particular purpose. Our liability on any claim of any kind, including negligence, for any loss or damage arising from or connected with, or resulting from, the sale and purchase of the products and parts covered by this proposal, acknowledgement, order or from the performance or breach of any contract pertaining to such sale of purchase, or from the design, manufacture, sale, delivery, resale, installation, technical direction in installation, inspection, repair, operation or use of any product or part covered by the proposal, acknowledgement, order or furnished by Directfans.com shall, in no case, exceed the price allocable to the products or parts thereof which give rise to the claim and shall terminate at the end of the applicable warranty period of said product or part. In no event whether as a result of breach of contract, or warranty or alleged negligence, defect, incorrect advice or other causes, shall be liable for special or consequential damages, including but not limited to loss of profits or revenue, loss of use of equipment or any associated equipment, cost of capital, cost of substitute equipment, facilities or services, downtime cost, or claims of customers of purchases for such damages. Directfans.com neither assumes nor authorizes any person to assume for it any other liability in connection with the sale of its products or parts. Some jurisdiction do not allow the exclusion or limitation of incidental or consequential damages, so the above limitations and exclusions may not apply to you

LIMITED WARRANTY

Directfans.com warrants its products and parts to be free from defects in workmanship and service for period of one (1) year from the date of purchase. Products and parts not specifically designed for use in a corrosive or explosive environment shall have no warranty and the user assumes full liability for use in such environments. Our obligation under this warranty is limited to the repair or replacement as our option, without cost at our facility, of any part or parts thereof which shall, within the warranty period, be returned to us with transportation charges prepaid, and which our examination discloses as being defective. All requests for repair or replacement must be directed to Directfans.com for authorization prior to the return of any product or part. This warranty gives you specific legal rights and you may also have other rights in the jurisdiction in which you reside. (It is incumbent upon the claimant to provide substantiation of purchase of installation dates if such question should arise.)

DISCLAIMER

Directfans.com has made a diligent effort to illustrate and describe the products in this literature accurately however, such illustrations and descriptions are for the sole purpose of identification, and do not express or imply a warranty that the products are merchantable, or fit for a particular purpose, or that the products will necessarily conform to the illustrations.